

Содержание

Алфавитный указатель рассмотренных моделей телевизоров	3	MITSUBISHI	185
AMCOL	9	MAGNUM	185
AKIRA	10	MEGAS	186
AMSTRAD	15	MINERVA	187
AMTEL	15	NEC	187
AVEST	16	NOKIA	188
AUDIOSONIC	16	NIKKAI	190
ACIKO	16	NORDMENDE	190
AIWA	17	OTAKE	190
AKAI	25	ONIKS	191
BROKSONIC	34	ONYX	191
BEKO	35	OPTA	191
BUSH	38	OKANO	192
BEIJING	39	ORSON	192
BLAUPUNKT	39	ONWA	192
CASIO	40	ORION	193
CHANGHONG	40	PALLADIUM	199
CHANGHONG 14	41	PANDA	199
COLORETT	41	PANTERA	199
CURTIS	42	PROTECH	199
CURTIS-2002	42	PANASONIC	200
CONDOR	42	PHILIPS	215
CONTINENTAL	42	POLAR (ПОЛАР)	235
CONTEC	43	ROLSEN	236
CLATRONIC	43	ROYAL	238
CROWN	44	RADIOTONE	238
DAEYONG	44	ROADSTAR	239
DISTAR	44	RFT	239
DIGITAL	45	RAINFORD	240
DECCA	45	RECOR	243
DAEWOO	46	RECORD (РЕКОРД, XANTRAX)	246
EXQUISIT	61	RUBIN (РУБИН)	249
ELECTRON	62	Полезные советы	255
ELENBERG	62	Кадровая развертка	261
EVGO	62	Кинескопы — устранение замыкания	261
EDISON	63	Кинескопы — борьба со старением	263
ERISSON	63	Оксидные конденсаторы	264
ELEKTA	65	Плата кинескопа на SMD элементах	265
FUNAI	67	Радиоканал	265
LG (GOLDSTAR)	95	Строчная развертка	266
GRUNDIG	127	Строчные трансформаторы	
HUANHE	147	с пробоем корпуса	266
HAPPY	147	Тюнеры	267
HANSEATIC	147	Центральный процессор	268
HITACHI	148	Электролитические конденсаторы	268
Hitachi-Fujian	152	Проверка ТВС на межвитковое	
HORIZONT, SELENA	152	и обрыв без генератора	268
ITT	162	Проверка сплит трансформаторов	269
ICE	163	Вся правда о памяти!	269
INTERBUY	163	Дефекты узла строчной развертки	273
JVC	164	Выходные транзисторы строчной	
KARAT	181	развертки и блока питания	275
ЛJасси SW-91ST	181	Маркировка резисторов	
KANSAI	181	с четырьмя полосами	278
KARCHER	182	Список сокращений для телемастеров	278
LOEWE	182	Сайты основных производителей	
MERCURY	183	телевизионной техники	280
MIYOTA	184	Каталог шасси, рассмотренных	
MEDION	184	в двухтомнике	281
MECHEL	184		

АЛФАВИТНЫЙ УКАЗАТЕЛЬ

рассмотренных моделей телевизоров

АЦИКО	CT-29AZ9	12	CTV-207	43	21T1	56
ATV5DK	CT-29DR9	12	CTV-225MST	43	21T1T	56
	CT-29DS9	11			21T2	55
	CT-29DX9	12	COLORETT	41	21T2	56
АИВА	CT-29FD9	13	4006A		21T2T	56
TV-1402KE	CT-29JP9	12			2594ST	59
TV-2102KE	CT-29LS9	11			2896ST	59
TV-C141KER	CT-29NI9	11	CONDOR	42	2898ST	59
TV-C142KER	CT-29NX9	11	CA107		CTV-2595	58
TV-C201KER	CT-29TJ9	11			CTV-2895	58
VX-T1000MK3	CT-29XG9	11			DMQ-1427	46
VX-T1400	CT-34DS9	11	CONTEC	43	DMQ-1457	46
VX-T2020	CT-34LS9	11	EO5145	43	DMQ-1458	46
	CT-34PF9	11	EO813	43	DMQ-14D1	53
	CT-34SG9	11	EO8135	43	DMQ-14D1	53
АКАИ	CT-34TP9	11			DMQ-2027	46
CT-2007D	CTV-21M	14	CONTINENTAL	42	DMQ-2050	46
CD-2107D	CTV-21MS	14	CT/ET2015	42	DMQ-2056	46
CT-1407D	MK-7	14	CT1411	42	DMQ-2057	46
CT-2007D			CT1412	42	DMQ-2072	53
NO-1417D			CT2115	42	DMQ-2075	53
TV-2819T			МП	42	DMQ-20D1	53
	AMCOL	9	CROWN	44	DMQ-2127	46
	2026	9	TV-B1332		DMQ-2157	46
АКИРА	C2001	9			DMQ-2172	53
CT-1496	C2101	9	CURTIS	42	DMQ-2195	53
CT-14DX9	C2102	9	CURTIS-2002		DMQ-21A1	53
CT-14DX9A	N2171	10			DMQ-21B1	53
CT-14DX9CP	ST2121T	10	DAEWOO	60	DMQ-21C1	53
CT-14DX9N			DTC-25G1VM	60	DMQ-21M2	53
CT-14DX9R	AMSTRAD	15	DTC-25G4VMS (NO TXT)	60	DMQ-2570	58
CT-14GT9A	CTV1400	15	(TA) PAL B/G - SECAM L/L	50	DMQ-2590	58
CT-14GT9CP	CTV1410	15	(TF) PAL B/G	50	DMQ-2595	58
CT-14GT9N	CTV2110	15	(TK) PAL-SECAM B/G - D/K	50	DMQ-2999	58
CT-14GT9R	CTV250	15	(TU) PAL I/I	50	DTA-14C4TFF	50
CT-14HS9	CTV3028N	15	14A5	56	DTA-14V1TF	50
CT-14JP9	CTV3121N	15	14A5T	56	DTA-20C4TF	50
CT-14JP9A	WSTV3032N	15	14Q1	55	DTA-21C6TFF	50
CT-14JP9CP			14Q1	56	DTC-14U1	48
CT-14JP9N	AMTEL	15	14Q1T	55	DTC-14V1	48
CT-14JP9R	20 (ROZEC)	15	14Q2	55	DTC-14V3	48
CT-14M9			14Q2	56	DTC-14V4	48
CT-14NI9	AUDIOSONIC	16	14Q2T	55	DTC-14V5	48
CT-14NK9	KT-8269FC	16	14Q3	55	DTC-20U1	48
CT-14NS9			14Q3	56	DTC-20V1	48
CT-14NX9	AVEST	16	14Q3T	55	DTC-20V3	48
CT-14PF9	54TLC-01	16	14T1	55	DTC-20V4	48
CT-14TA9A			14T1	56	DTC-20V5	48
CT-14TA9N	BEIJING	39	14T1T	55	DTC-21U1	48
CT-14TA9R	8303PS	39	14T2	55	DTC-21U3	48
CT-14UX9			14T2	56	DTC-21V1	48
CT-14XJ9	BEKO	37	14T2T	55	DTC-21V3	48
CT-2097M	10214	37	14T3	55	DTC-21V4	48
CT-2155	16328	37	20A5	56	DTC-25G1TM (TXT)	60
CT-21CH9N	11225T	37	20A5T	56	DTC-25G3VMR (NO TXT)	60
CT-21DR9	12220T	37	20Q1	55	DTC-25G7VM (NO TXT)	60
CT-21DS9	15225T	37	20Q1	56	DTC-29G1TM (TXT)	60
CT-21DX9	16228T	37	20Q1T	55	DTC-29G1VM (NO TXT)	60
CT-21DX9	16328NX	37	20Q2	55	DTD-1427	52
CT-21DX9A	19221NX	37	20Q2	56	DTD-1447	52
CT-21DX9CP			20Q2T	55	DTD-1451	52
CT-21DX9N	BLAUPUNKT	40	20Q3	55	DTD-1457	52
CT-21DX9R	70-28VT	40	20Q3	56	DTD-1458	52
CT-21FD9CP			20Q3T	55	DTD-2027	52
CT-21FD9M	BROKSONIC	34	20T1	55	DTD-2046	52
CT-21FS9	CTVG-5472	34	20T1T	55	DTD-2047	52
CT-21GT9			20T2	55	DTD-2051	52
CT-21JP9	BUSH	38	20T2	56	DTD-2057	52
CT-21LS9	1400	38	20T2T	55	DTD-2058	52
CT-21NK9	1407	38	20T3	55	DTD-2147	52
CT-21NX9	1433	38	20T3	56	DTD-2148	52
CT-21PF9	2114	38	21A5	55	DTD-2149	52
CT-21RT9	2063NTX/A	38	21A5T	55	DTD-2157	52
CT-21TN9	T20	38	21Q1	55	DTD-2157	52
CT-21UX9	TV-3009SK	38	21Q1T	55	DTD-2159	52
CT-21XD9			21Q2	55	DTD-2169	52
CT-21XF9	CASIO	40	21Q2	56	DTG2596TK	61
CT-21XG9	TV-M420S/B	40	21Q2T	55	DTG2597TK	61
CT-25DS9			21Q3	55	DTG2983TK	61
CT-25LS9	CHANGHONG	41	21Q3T	55	DTG2987TK	61
CT-25NI9	21A18IA	41	21Q4	55	DTK-1417	46
CT-25NX9			21T1	55	DTK-1432	46
CT-25XG9	CLATRONIC					

ST55-850	133	T55-842	143	37CTV-670	159	AV-20NTG	166
ST55-850	133	T55-843FR	142	37CTV-676	160	AV-2104EE	166
ST55-876/9 TEXT	144	T55-846	143	37CTV-730	161	AV-2110EE	169
ST55-900	133	T55-847	143	51CTV-518D	153	AV-2111TEE	169
ST63-255 IDTV/LOG	129	T56-140	128	51CTV-655	154	AV-2114EE	166
ST63-255/8 IDTV/LOG	129	T6335	138	51CTV-656	154	AV-2115EE	166
ST63-360 CTI	135	T63-430	136	51CTV-659	157	AV-2124EE	166
ST63-361 CTI/PC	135	T63-446	136	51CTV-661	158	AV-2130EE	169
ST63-366 CTI/PC	135	T63-530	138	51CTV-664	159	AV-2134EE	166
ST63-460	137	T66-140	128	51CTV-676	160	AV-2134EE	166
ST63-466	137	T70-440	136	5100-525	154	AV-21A10	166
ST63-560	137	T70-540	138	54CTV-655	154	AV-21A10	166
ST63-575	137	T70-549	139	54CTV-656	154	AV-21A4	166
ST63-650	140	Trento SE7016/9	132	54CTV-659	157	AV-21A4EE	166
ST63-660	140	TVC7000	137	54CTV-661	158	AV-21AT	166
ST63-700	133	Wien ST663	140	54CTV-664	159	AV-21ATG	166
ST63-705	133	XS55/1	144	54CTV-670	159	AV-21D10	166
ST63-710	133	XS55/5	144	54CTV-676	160	AV-21DM10	166
ST63-775	133	XS55/9	144	54CTV-730	161	AV-21DTG2	166
ST63-780	133			61CTV-518D	153	AV-21F1P	178
ST63-875	133			61CTV-655	154	AV-21F3PX	178
ST7003	140	HANSEATIC		61CTV-656	154	AV-21F8	171
ST70-255 IDTV/LOG	129	CTV-2084-A	147	62CTV-676	160	AV-21M	174
ST70-255/8 IDTV/LOG	129	HAPPY		63CTV-655	154	AV-21ME	174
ST70-280	130	HC2067AR	147	63CTV-656	154	AV-21P7EE	179
ST70-360 CTI	135	HITACHI		63CTV-661	158	AV-21TE	174
ST70-360 CTI text	135	20CX20B501	148	63CTV-670	159	AV-21ZE	174
ST70-361 CTI/PC	135	20CX20B511	148	63CTV-730	161	AV-25GS1E	173
ST70-366 CTI/PC	135	20CX20B521	148	CTV-510	153	AV-25MEX	174
ST70-460	137	C2165	151	ICE		AV-25S1E	173
ST70-466	137	C2166TN	151	TV-1050	163	AV-25SV1E	171
ST70-560	137	C2172MS	148	TV-4155	163	AV-25TS1EN	172
ST70-600	133	C2173MS	148	INTERBUY		AV-25VM1E	171
ST70-650	140	C2176PX	148	M-530	163	AV-25VM1PF	172
ST70-660 ST63-660	140	C2178FS	148	ITT		AV-28GS1E	173
ST70-700	133	C2578FS	150	6855VT	162	AV-28S1E	173
ST70-705	133	C2578FS	150	JVC		AV-28TS1EN	172
ST70-715	133	C2589FS	150	AV-14FTT2	166	AV-28VM1E	171
ST70-775	133	C2589FS	150	AV-1410EE	169	AV-28VM1PF	172
ST70-780	133	C2589FS	150	AV-1413EE	166	AV-29SV1E	171
ST70-788	133	C299F100	149	AV-1413EE	166	AV-29SX1E	171
ST70-798	133	C3390FS	149	AV-1414EE	166	AV-6100	173
ST70-800	142	C3390FSP	149	AV-1415EE	166	AV-A14AU3	166
ST70-869	130	C3399FS	149	AV-1434EE	166	AV-A14M3	166
ST70-869 IDTV	129	C3399FSP	149	AV-1434EE	166	AV-A14T3	166
ST70-875	133	CL2894TAN	150	AV-1434TEE	166	AV-B214BK	169
ST72-261 IDTV/LOG	129	CMT1471	148	AV-1435	166	AV-B21M	169
ST72-261/8 IDTV/LOG	129	CMT1472	151	AV-1438	166	AV-B21MU	169
ST72-860	133	CMT1473	148	AV-14A10	166	AV-B21T	169
ST72-865	133	CMT2057	151	AV-14A3	166	AV-G14M	180
ST82-575	141	CMT2077	148	AV-14A4EE	166	AV-G14T	165
ST82-675/9	142	CMT2097	148	AV-14AM	166	AV-G210T	165
ST8276.9	142	CMT2130	151	AV-14AMG3	166	AV-G21T	165
ST84-896	133	CMT2186	148	AV-14AT	166	AV-G21TR	172
ST95-675/9	142	CMT2187	148	AV-14ATG2	166	AV-G21TT	172
ST95-775/9 PIP/ TOP	145	CMT2192	148	AV-14F10	166	AV-G250	179
Sydney ST670	140	CMT2192T	148	AV-14F11	178	AV-G29MX	172
T51-060	141	CMT2196	148	AV-14F13	178	AV-K214BK	169
T51-071	143	CMT2198	148	AV-14F1P	178	AV-K21M	169
T51-14	127	CMT2199	148	AV-14F3	166	AV-K21T	169
T51-240	134	CMT2578	150	AV-14F31	178	AV-K21TF	169
T51-2406	134	CMT-2578	150	AV14F33	178	C-140ME	179
T51-440	136	CMT2579	148	AV-14F3PX	178	C-1480EE	164
T51-543E	138	CMT2979PX	149	AV-14FM	166	C-1480EG	164
T51-640	141	CMT2985	149	AV-14FR10	166	C-1480M	164
T51-643 EURO	138	CMT2990	149	AV-14FR10	166	C-1490M	164
T51-720	143	CMT2990PX	149	AV-14FT	166	C-14W	171
T51-721/5 TEXT	145	CP-2146TAE	151	AV-14FTG	166	C-14Z	171
T51-730	128	CP2894TA	150	AV-14FTR	166	C-21Z	171
T51-731	143	CP2894TAN	150	AV-14FTT2	166	C-21ZE	174
T51732	143	CP2994TA	150	AV-14ME	174	C-S2180M	164
T51-830	133	CP2994TAN	150	AV-14TE	174	C-S2190EK	164
T51-843FR	142	CPT1470	148	AV-16N7	171	KARAT	
T51-846	143	CPT2090	148	AV-16N8	171	3399	181
T55-060	141	CS1422P	150	AV-20D202	178	5099	181
T55-066/5	143	CS2114	151	AV-20N1	178	5399	181
T55-3035	143	CS2843	151	AV-20N10	166	KARCHER	
T55-340/90	136	HITACHI-FUJIAN		AV-20N11	178	CTV-5228	182
T55-440	136	HFS-1425	152	AV-20N1P	178	LG (GOLDSTAR)	
T55-449	136	HFS-2125	152	AV-20N3	178	21-K40EX	112
T55-540DS	138	HORIZONT, SELENA		AV-20N31	178	CA-14F33	112
T55-543E	138	37CTV-655	154	AV-20N3PX	178	CB-14A80	121
T55-549	138	37CTV-656	154	AV-20N4	166	CB-20A80	121
T55-640	141	37CTV-659	157	AV-20N8	171	CB-20A86	122
T55-730	128	37CTV-661	158	AV-20NMG3	178	CB-20T20X	123
T55-731	143	37CTV-664	159	AV-20NT	166	CB-25C22X	121
T55-732/5	143			AV-20NTG	166	CF-25C22T	121
T55-733/5	143					CB-28C22X	121
T55-830	133						
T55-840	133						
T55-841	143						

CBT-2172E	120	CF-21D60	107	CKT-2871	121	NORDMENDE	
CBT-2190	118	CF-21D60B	102	CKT-4442B	119	5207	190
CBT-2191	118	CF-21D60X	107	CKT-4745	124	GALAXY 36X	190
CBT-4005	118	CF-21D70	107	CKT-4902	118	Z-206	190
CBT-4902	118	CF-21D70R	107	CKT-4905	118		
CBT-9902	118	CF-21D70X	107	CKT-9322B	119	OKANO	
CBT-9905	118	CF-21D73	112	CKT-9742	124	TV3721VT	192
CBZ-9822	118	CF-21D79	116	CKT-9745	124		
CE-20F66	95	CF-21E20	107	CKT-9825	124	ONIKS	
CE-20F66X	95	CF-21E20B	102	CKT-9902	118	37TLC10-4	191
CE-20F86X	95	CF-21E60B	102	CKT-9905	118		
CE-20J3BGX	98	CF-21F30K	98	CKZ-4822	118	ONWA	
CE-20J3BX	98	CF-21F39	116	CP-29K40	99	K9615	192
CE-20J3GX	98	CF-21F60	112	CT-15G92E	95	K9715	192
CE-20J3RX	98	CF-21F80	112	CT-21G61E	115		
CE-20K48ET	95	CF-21F80	112	CT-21Q66KEX	98	ONYX	
CE-20K48ET	95	CF-21F89	116	CT-29G10ET	115	1404	191
CE-21F66X	95	CF-21K49	116	CT-29G12IP	116	4021	191
CE-21J50K	98	CF-21K49E	116	CT-29G24PT	114	4014PS	191
CE-21J50KX	98	CF-21K50	112	CT-29K30E	99		
CE-21K46EX	95	CF-21K52E	112	CT-29K37E	97		
CE-21Q26ET	97	CF-21K54	112	CT-29Q10EN	115	OPTA	
CE-25Q20ET	115	CF-21S10E	112	DI-28Z12	125	CTV1401	191
CE-25Q26ET	97	CF-21S10EX	112	GF-114A80Y	101		
CE-29Q10ET	115	CF-21S10X	112	GF-20A80Y	101	ORION	
CE-29Q12IP	116	CF-21S12E	112	KCI-20F60	123	14NV	193
CF-14A80Y	100	CF-21S14	112	KCI-20F60X	123	20AR	193
CF-14A90B	102	CF-21S32E	114	KCI-21F60X	123	20JKMII	198
CF-14B80	100	CF-21T26EX	95	KF-14U70	118	284BE TV2807	195
CF-14D10	100	CF-21T28ET	95	KF-20U70	118	325CE TV8250	195
CF-14D60X	107	CF-25A50F	122	KF-21U70	118	K9220CF	198
CF-14E20B	102	CF-25A64DF	123	LE-15A10	118	T20MS	196
CF-14F33	112	CF-25C36X	106	NF-25C10P	99	T-2188MJ	196
CF-14F69	116	CF-25C42P	99	NO-21Q92EAO	98	TV-1450	195
CF14F80K	98	CF-25C44	106	WE-32Q10IP	116	TV2050	198
CF-14G20R	107	CF-28A50F	122	WF-28A12T	107	TV2180	198
CF-14K50	112	CF-28A64DF	123	WF-32A10S	106		194
CF-14K52E	112	CF-28C22T	121	WF-32A14T	107	ORSON	
CF-14S10E	112	CF-29B20TM	106	WF-32A22DI	124	C-2086DK	192
CF-14S10X	112	CF-29C10	99			OCT-2900	192
CF-14S12E	112	CF-29C26X	121	LOEWE			
CF-14S14	112	CF-29C32	121	Art-63	183	OTAKE	
CF-16S10E	112	CF-29C42P	99	Contur 63	183	TV-1402	190
CF-16S10X	112	CF-29C44	106	Contur S28	183	TV-2002	190
CF-16S12E	112	CF-29C44TM	106	DTV2	182		
CF-20A80	100	CF-29H20TM	111	Studio 70	183	PANASONIC	
CF-20A80V	100	CF-29H30	112			TX-14JT1P	210
CF-20A80Y	100	CF-29H70	112	MAGNUM		TC-14B3R	212
CF-20B70V	100	CF-29H90TM	112	TV7050VT	185	TC-14D2	209
CF-20D16X	107	CF-29K40N	112			TC-14D3	209
CF-20D29	110	CF-34C60	111	MEGAS		TC-14JR1P	210
CF-20D30	110	CFT-2590P	99	M9814	186	TC-14K1R	210
CF-20D33	112	CFT-2875	99	M9820	186	TC-14K1R	214
CF-20D60	107	CFT-2875P	99	M9820TST	187	TC-14R1	211
CF-20D60B	102	CI-14E20	122	M9821STXT	187	TC-14R1L	211
CF-20D60X	107	CI-14E20F	122			TC-14S15R	214
CF-20D70	107	CI-20A90F	121	MERCURY		TC-14S1R	212
CF-20D79	116	CI-20E20F	122	CTV-2177SK	184	TC-14S2R	212
CF-20E20B	102	CI-21Q20ET	125			TC-14S3M	214
CF-20E20X	107	CI-21T20F	123	MINERVA		TC-14S3R	214
CF-20E50X	107	CI-25H40	120	MT3712	187	TC-14S3R	214
CF-20E60	107	CI-29H40	120	MT5511(H)	187	TC-14S4R	214
CF-20F30	107	CIT-2168	118	MT5515	187	TC-14X2	209
CF-20F39	116	CIT-2190	118	MITSUBISHI		TC-14Z88R	209
CF-20F60	112	CIT-2191	118	72	185	TC-15M2R	212
CF-20F69	116	CIT-4902	118	CT21M5E	185	TC-15PM10R	210
CF-20F80	112	CIT-4905	118			TC-15PM30R	210
CF-20F89	116	CIT-9902	118	MIYOTA		TC-2106RT	214
CF-20K50	112	CIT-9905	118	6000 JKKI	184	TC-2125RT	207
CF-20K52E	112	CK-20D10X	121			TC-2170R	207
CF-20S10E	112	CK-20E22X	121	NEC		TC-2195R	209
CF-20S10X	112	CK-20F60	123	2181	187	TC-21B3EE	204
CF-20S12E	112	CK-20F90X	123	2182	187	TC-21B4R	204
CF-20S14	112	CK-20F90	123	CT2011SK	187	TC-21C3R	214
CF-20S32E	114	CK-20F90X	123	FS2181	188	TC-21D2	209
CF-21A20X	105	CK-20K40X	123	FS-2181SK	187	TC-21D3	209
CF-21A50F	122	CK-21F60	123	FS-2181SKB	187	TC-21E1R	209
CF-21A80Y	100	CK-21F60X	123			TC-21E1R	205
CF-21A80Y	101	CK-21F80	123	NIKKAI		TC-21F1	207
CF-21A90V	100	CK-21F80X	123	NT-14	190	TC-21F1T	207
CF-21A90Y	100	CK-21K40X	123			TC-21G10R	209
CF-21B70V	100	CK-21K44EX	123	NOKIA		TC-21JR1P	210
CF-21C22X	105	CK-21Q20ET	125	5121	189	TC-21K1R	210
CF-21C28F	122	CK-21T24X	123	5524	189	TC-21K1R	214
CF-21D10Y	101	CK-25H40E	120	7160	189	TC-21L100R	209
CF-21D16	107	CK-25H40E	120	51H2.0	189	TC-21L10P	207
CF-21D16X	107	CK-29H40E	120	5524EE	188	TC-21L3R	205
CF-21D30	110	CKT-2190	118	5532VT	189	TC-21M1RD	212
CF-21D30X	110	CKT-2191	118	6361VT	189	TC-21M2R	212
CF-21D33	112	CKT-2570X	121			TC-21P50R	211
CF-21D33E	112	CKT-2571X	121			TC-21PM10R	210

TC-21PM30R	210	TX-25XD1	201	14GR1228	230	215962IR-215969IR	229
TC-21S10R	207	TX-25XD4	201	14GR1229	230	21CE4250-21CE5554	215
TC-21S10R2	207	TX-25XD90	203	14GR1230	230	21GR2357-21GR2396	229
TC-21S1M	212	TX-25XDP3	201	14GR1233	230	21GR2556-21GR2757	229
TC-21S1R	212	TX-28A2X	200	14GR1234	230	21GR5656-21GR6756	227
TC-21S3M	214	TX-28CK1P	211	14GR1236	230	21GR6761	228
TC-21S4R	214	TX-28G1	200	14GR2125-2126	229	21GR9650-21GR9757	229
TC-21V80R	209	TX-28LD20	202	14GR2325-2326	229	21GX1560-8568	221
TC-21W2	209	TX-28LK1	213	14GX1010-8558	216	21GX54	232
TC-21X3	209	TX-28MD3	201	14GX37A	232	21PT118A	224
TC-25F1	207	TX-28MD4	202	14KO1401	230	21PT128A	225
TC-25G10R	209	TX-28MD4	202	14KO1411	230	21PT129A	226
TC-25V50R	206	TX-28MK1C	202	14PT111A-118A	222	21PT132A	227
TC-25V70R	209	TX-28PK1	202	14PT1322	219	21PT133A	228
TC-25V80R	209	TX-28SL20	202	14PT1323	219	21PT1342	219
TC-26B4R	204	TX-28SLB1	202	14PT132A	222	21PT1343	222
TC-2950	214	TX-28W1	200	14PT1332	219	21PT1352	219
TC-2990EE	204	TX-28WG25C	205	14PT133A	222	21PT1364	223
TC-29G10R	209	TX-28X1	201	14PT1342	219	21PT137A	229
TC-29V50R	206	TX-28XD1	201	14PT1345	223	21PT1381	222
TC-29V80R	209	TX-28XD4	201	14PT1352	219	21PT138A	230
TC-33A4RE	204	TX-28XD60C	202	14PT1353	219	21PT1532	219
TC-AV29EE	204	TX-28XD90	203	14PT1354	223	21PT1532	223
TX-14B3T	212	TX-28XDP3	201	14PT1363	219	21PT1542	219
TX-14D3T	209	TX-29A3	201	14PT1365	223	21PT1582	223
TX-14K1T	210	TX-29AD1	201	14PT1372-1374	219	21PT1636	231
TX-14K1T	214	TX-29AD2	201	14PT137A-138A	222	21PT1653	219
TX-14K2T	210	TX-29AD70F	202	14PT1422-1482	222	21PT1654	223
TX-14K2T	214	TX-29AD70P	202	14PT148A	222	21PT1664	223
TX-14S1T	212	TX-29AK1	202	14PT1532-1553	219	21PT1730	231
TX-14S2T	212	TX-29AK10	203	14PT1562-1563	219	21PT1865-2265	223
TX-14S3T	214	TX-29AK10P	203	14PT1565	223	21PT2381	222
TX-14S3T	214	TX-29AS1	202	14PT1573-1574	219	21PT2563-2584	219
TX14-S4T	214	TX-29AS10	202	14PT1582	223	21PT2664-2665	223
TX-14X2T	209	TX-29G10T	209	14PT1782	223	21PT2684	223
TX-15M2T	212	TX-29P20T	211	14PT210A	222	21PT334A	223
TX-15PM10T	210	TX-29P250T	210	14PT230A	217	21PT3382	223
TX-15PM30T	210	TX-29P80T	211	14PT2321	222	21PT3722-3885	223
TX-15PM50T	210	TX-29V80T	209	14PT2381	222	21PT4255	223
TX-21AD2	201	TX-32DK1	202	14PT2663	219	21PT4355	223
TX-21AP1C	213	TX-32DK10	203	14PT2665	223	21PT4403	219
TX-21AS1P	202	TX-32PF10	203	14PT2683-2594	219	21PT440B	225
TX-21CK1	213	TX-32PF10	203	14PT300A	219	21PT440B-441B	224
TX-21CK1P	211	TX-32PK1	202	14PT314A/B	223	21PT441B	225
TX-21D3T	209	TX-32PK2	202	14PT3722-3822	223	21PT4422	225
TX-21G10T	209	TX-33AK10	203	14PT414A	223	21PT4423	219
TX-21JT1P	210	TX-33AK10P	203	14RA01	223	21PT442B	224
TX-21JTP3	210	TX-33P100X	205	153732IR	229	21PT442B	225
TX-21K1T	210	TX-34P250T	203	153932IR	229	21PT4455	223
TX-21K1T	214	TX-34P300X	203	17PT1564-1565	223	21PT4475	223
TX-21K2T	214	TX-36PF10	203	20GR1050	230	21PT4655	223
TX-21K2T	214	TX-36PF10	203	20GR1055	230	21PT5302	225
TX-21M1TD	212	TX-80P250Z	203	20GR1056	230	21PT5306	231
TX-21M2T	212	TX-G10	200	20GR1250	230	21PT5322	225
TX-21MD1	201	TX-W28D5F	203	20GR1259	230	21PT534A	223
TX-21MD3	201	TX-W28D5F	203	20GR1355	230	22AV1112	215
TX-21MD4	202	TX-W28D5F	203	20GR1358	230	22AV1113	215
TX-21MD4	202	TX-W28R4D	202	20GR1359	230	22AV1131	215
TX-21MK1C	202	TX-W32D4D	203	20GX1050-8559	220	247054EK	215
TX-21PM10T	214	TX-W32D5F	203	20PR1554	223	247924EK	215
TX-21PM30T	214	TX-W32D5F	203	20PT118A-133A	222	247954EK	215
TX-21S1T	212	TX-W32D5F	203	20PT1342	219	24CE4270-24CE4579	231
TX-21S3T	214	TX-W32R4	202	20PT1352	219	24PW6006	231
TX-21S4T	214			20PT1353	219	24PW6301	224
TX-21V2	201			20PT1353	222	24PW6302	225
TX-21V80T	209			20PT137A	222	24PW6321	224
TX-21W2T	209			20PT138A	222	24PW6322	225
TX-21X3T	209			20PT1422-1482	222	24PW6504	226
TX-24DX1	202			20PT148A	222	24PW9553	226
TX-24W1	200			20PT1542-1553	219	250175IR	227
TX-25A2X	200			20PT1553	219	250571SB-254961SB	231
TX-25A3	201			20PT1582	223	256341SB	231
TX-25AD1	201			20PT1732	223	256861SB	231
TX-25AD2	201			20PT224B	223	256961SB	231
TX-25AD70F	202			20PT2381	222	257325EK	215
TX-25CK1P	211			20PT2722-2782	223	257355EK	215
TX-25G1	200			20PT324A/B	223	25CE5570-25CE5575	215
TX-25G10T	209			20PT3722-3882	223	2570410T	231
TX-25CF85T	209			20PT424	223	25GR1990-25GR9975	227
TX-25LD20	202			20PT524A	223	25GR5765	227
TX-25LK1	213			20RA01	223	25GR9760	227
TX-25MD1	201			20TA01	223	25GX1880-1985	222
TX-25MD3	201			213861SB	231	25ML8760-8966	227
TX-25MD4	202			215050EK	215	25MN1350-1550	231
TX-25MD4	202			215162EK	215	25PT4301	224
TX-25MD4	202			215172IR	229	25PT4401	224
TX-25MK1	202			215482IR	229	25PT4403	219
TX-25P20T	211			216572IR	229	25PT4411	224
TX-25P80T	209			216572IR	229	25PT4421	224
TX-25V70T	209			216572IR	229	25PT4421	224
TX-25V80T	209			216572IR	229	25PT4421	219
TX-25X1	201			216572IR	229	25PT4457	231
				215732IR-215779IR	219		
				215924EK	215		
				215954EK	215		

25PT4501	224	28PT7155	226	32PW9763	226	82WA8414	226
25PT4503	225	28PT7156	217	33ML8990	227	82WA8416	217
25PT4511-4512	224	28PT7204	226	33ML8996	227	82WA9412	226
25PT4513	225	28PT7206	217	37KV2225-37KV2291	229	82WB6193	225
25PT4521	224	28PT7304	226	37TA1220	219	CTV8148	232
25PT4523	225	28PT7306	217	37TA1232	219	D14GP2/GP3/GP4/GP5	230
25PT4701	224	28PT7403	226	37TA1262-1263	219	M1432-2052	219
25PT4721	224	28PT7404	226	37TA1273	219	M2132	219
25PT4811	224	28PT8306	217	37TA1274	223	M2152-2192	219
25PT4821	224	28PW6202	225	37TA1432	219	P145R	230
25PT5101	224	28PW6301	224	37TA1462-1463	219		
25PT5107	231	28PW6302	225	37TA1473	219		
25PT5111	224	28PW6312	225	37TB1252	219	POLAR (ПОЛАР)	
25PT5121	224	28PW6322	225	37TB1254	223	3701	235
25PT5123	225	28PW6332	225	38KV2383-2393	229	5400	235
25PT5302	225	28PW8206	217	414488IR	227	5401	235
25PT5322	225	28PW8504-8505	226	41GR8840	227	54CTV2039	236
25PT5403	225	28PW8506	217	41GR8841	227		
25PT5424	225	28PW9503	226	41KV8408	227	PROTECH	
25PT5506	231	28PW9505	226	41KV842	227	CTV-8218A	199
25PT6322	225	28PW9515	226	41KV8438	227		
25PT7303	226	28PW9545	226	51TA1232	219	RADIOTONE	
25PT7304	226	28PW9763	226	51TA1262	219	TV2050VT	238
25PT8303	226	28ST1181-1881	231	51TA1462	219	TV2051VT	238
25PT8304	226	29?O8507	217	51TA1472	219	TV2054VT	239
25PT8703	226	29DS100	226	51TA1473	219	TV376L	238
25ST1603-1861	231	29GX1890-1995	223	51TB1252	219	TV377	238
279054EK	215	29PT4323	219	51TB1252	219	TV377AV	238
279924EK	215	29PT5123	225	51TB1452	219	TV7050VT	239
279954EK	215	29PT5302	225	525024EK	215	TV7100VT	239
27CE4290-27CE4392	215	29PT5322	225	52KE4502-52KE4595	215		
27CE4590-27CE4698	215	29PT5403	225	52KV2526-2527	229	RAINFORD	
280175IR	227	29PT5423-5424	225	52KV2537-2553	229	TV5111	242
281571SB-283961SB	231	29PT6413	225	52KV9527-9696	229	TV5126	242
286NS/05	219	29PT6433	225	52NA1307	231	TV5182	241
287265IR	227	29PT6773	225	52NA1364	231	TV5531	242
287269IR	227	29PT740A-746C	229	52TA1262	219	TV7256	240
287275IR	227	29PT760A-786C	229	52TA1420-1462	219		
287279IR	227	29PT8001-8005	225	52TA1464	223	RECOR	
287289IR	227	29PT8001-8005	226	52TA1472	219	RC-4020PS	243
287665IR	227	29PT8006	217	52TA1474	223	RC-4021PS	243
287775IR	227	29PT8303	226	52TA1474	223		
287831CB	231	29PT8304	225	52TA4311	224	RECORD (РЕКОРД, ХАНТРАХ)	
287865IR	227	29PT8304	226	52TA4311	225	37/51/54005173	247
287869IR	227	29PT8333	226	52TA4314	219	37/51/54005177	248
288271SB	231	29PT8344	225	52TA4415	223	51/54005168	247
288372SB	231	29PT8344	226	52TB1252	219	51/54005169	246
288861SB	231	29PT8346	217	52TB1452	219	51/54005172	246
288961SB	231	29PT8403	226	52TB1454	223	51/54005173	247
289325EK	215	29PT8413	226	52TB2452	219	5400-5172	248
289355EK	215	29PT8423	226	52TB4291	224	ON-2066	247
28CE5290-28CE5597	215	29PT8423	226	52TB4395	223	ON2068	247
28DW6734	225	29PT8607	217	597024EK	215	TC-2166	247
28GR1990-28GR9979	227	29PT9005-9006	225	59KE4662	215	TC-2168	247
28GR5701	227	29PT9005-9006	226	59KE4702-59KE4795	215	XANTRAX TC-2172S	248
28GR6780	228	29PT9007	217	62KV2583-2597	229		
28GR6781	228	29PT9015	225	63CA1503-1573	231	RFT	
28ML8770	227	29PT9015	226	63KE5722-63KE5795	215	4506	239
28ML8776	227	29PT9046	226	63KE6672-63KV9817	227		
28ML8970-8978	227	29PT9046	226	63NA1047-1677	231	ROADSTAR	
28MN1370-1570	231	29PT9047	217	63TA3913	219	CTV570	239
28PT4103	219	29PT9055	225	63TA4013	219		
28PT4204	219	29PT9055	226	63TA4413	219	ROLSEN	
28PT4224	219	29PT9113	225	63TA5213	225	C2116	236
28PT4254	219	29PT9113	226	63TA5216	231	C2118	236
28PT4301	224	29PW6321	224	63TB4394	219	C2119	236
28PT4401	224	29PW9763	226	68KE4902-68KE4996	215		
28PT4411	224	2AV1121	215	70CA1703-1763	231	ROYAL	
28PT4421	224	32DW6834	225	70KE5922-70KE5995	215	5104	238
28PT4423	219	32PW5407	231	70KV5027-70KV9917	227	5106	238
28PT4423	219	32PW6006	231	70NA1147-1877	231		
28PT4453	219	32PW6302	225	70TA3913	219	RUBIN (РУБИН)	
28PT4473	219	32PW6312	225	70TA4013	219	3710	253
28PT4501	224	32PW6322	225	70TA4311	224	37M04	249
28PT4503	225	32PW6332	225	70TA4412	224	5110	253
28PT4511-4512	224	32PW8206	217	70TA7213	226	51M04	249
28PT4513	225	32PW8406	217	70TA7214	226	51M06	251
28PT4521	224	32PW8504-8505	226	70TA7216	219	51M07	252
28PT4523	225	32PW8506	217	70TB3893	217	5100-402AE	254
28PT4701	224	32PW8604	226	70TB4392-4393	224	54M04	249
28PT4721	224	32PW8806	226	70TB4394	219	5400-402AE	254
28PT4811	224	32PW9403	226	70WA6212	224	5510	253
28PT4821	224	32PW9503	226	70WA6216	231	55M04	249
28PT5001	224	32PW9515	226	70WA8416	217	63M10	253
28PT5101	224	32PW9523	226	70WA9412	226	63S05T	253
28PT5111-5121	224	32PW9523	226	70WB6192	224	72S10	253
28PT7103	226	32PW9534-9535	226	70WB6193	225	O-391A	254
28PT7104	226	32PW9556	226	72TA5213	225		
28PT7106	217	32PW9566	226	82PW6216	231		
		32PW9713	226	82WA6213	225		

AMCOL

2026

2026. *Неисправность: экран темный, только вверху светлая полоска, звук есть.* После замены TDA6107 изображение появилось, но микросхема сильно

греется. Напряжение питания на ней 240 В, а строчной +В 140 В, а должно быть 200 В и 120 В. Обрыв резистора R 823 (99 кОм 1%).

C2101, C2001, C2102

Состав: центральный процессор управления IC001 PCA84C440P-401, кадровая развертка IC301 LA7830, трансформатор строчной развертки BSC231103, выходной транзистор строчной развертки 2SD1555, выходной транзистор блока питания 2SD1403, IC101 TDA2549, IC003 LA7910, память IC002 PCF8581, IC102 TDA2460, усилитель низкой частоты IC401 TDA1904, видеопроцессор IC201 TA8659, выходной транзистор строчной развертки Q302 2SD1555 (аналоги BU508DF, 2SD1651, 2SD2095, 2SD2125).

C2001. *Неисправность: сильно завышены и не регулируются выходные напряжения блока питания.* **Причина** — диоды D604, D605, D606 (пробиваются под напряжением). При восстановлении обязательно заменить все электролитические конденсаторы в блоке питания (кроме сетевого). Транзисторы ключа дежурного режима выходят из строя при изменении их емкости всего на 10...15%.

C2101. *Неисправность: белый экран с линиями обратного хода.* Заменить C516 (10 мкФ × 250 В), который расположен на плате кинескопа.

C2101. *Неисправность: белый экран с линиями обратного хода.* Нет контакта в разъеме XR504 (4 контакт). Через этот контакт заводится питание видеоусилителей +180 В. Вместо этого было питание всего +50 В.

C2101. *Неисправность: на цветном изображении вместо синего цвета горизон-*

тальные полосы. Обрыв конденсатора C221 0,2 мкФ.

C2101. *Неисправность: временами пропадает кадровая развертка.* Кольцевые трещины на ножках IC301 LA7830.

C2101. *Неисправность: не выходит из режима AV, хотя индикация показывает, что включен режим TV.* Команда проходит до 23 ноги TDA2549, снижая 6 В до 3 В. Оказалась неисправна звуковая микросхема TDA2460, подпирившая своим напряжением 23 ногу TDA2549.

C2101. *Неисправность: картинка сдвинута влево (как при фазовой регулировке).* Вышел из строя D304 — утечка.

C2102. *Неисправность: уходит частота настройки.* Радиоканал собран на TDA2549. Виновата емкость контура L107, емкость для замены 68 пФ со стороны монтажа. Старую емкость удалить (выкусить, выломать).

ST2121T

ST2121T, пульт управления RS514B. *Вопрос: как включить настройку каналов?*

Войти в меню регулировки звука и удерживать кнопку **МЕНЮ** 5 секунд.

C2171

В составе: видеопроцессор TDA8842.
C2171. *Неисправность: темный экран, 2-3 горизонтальные RGB полосы в верх-*

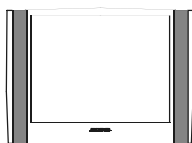
ней части экрана, на катодах по 220 В.
Питание поступает на кадровую микросхему через резистор R704 100 Ом.

AKIRA

С 1994 года компания AKIHABARA Electric Corporation, Japan, Ltd. выпускает на рынок бытовую электронику под маркой AKIRA. С тех пор AKIRA неустанно завоевывает новые рынки сбыта продукции, и ее техника уже представлена в 21 стране. AKIRA сегодня — это весь спектр бытовой электроники: телевизоры, видеотехника, VCD и DVD плееры, домашние и автомобильные аудиосистемы разных классов и возможностей. Столь же богат и модельный ряд техники для быта: кондиционеры, холодильники, морозильные камеры, стиральные и посудомоечные машины, пылесосы, кофеварки, микроволновые печи и многое другое. Продукция AKIRA — это широкий модельный ряд современной бытовой электроники, удовлетворяющей высоким японским стандартам качества, по доступной цене.

Шасси 3Y01

CT-14HS9, CT-14M9, CT-14NI9, CT-14NK9, CT-14NS9, CT-14NX9, CT-14PF9, CT-21DS9, CT-21FS9, CT-21LS9, CT-21NK9, CT-21NX9, CT-21PF9, CT-21TN9, CT-21RT9, CT-21XG9

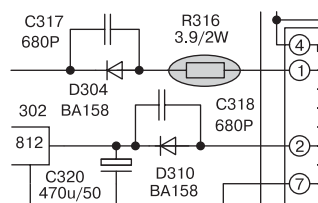


Состав: центральный процессор управления IC001 LA8633XX, память IC002 ST25002, видеопроцессор IC201 LA76810, кадровая развертка IC301 LA7840, выходной транзистор строчной развертки Q302 BU5150, трансформатор строчной развертки T302, IC202 LA7642N, IC701 STV5348B, IC402 IC403 LA4285, блок питания C601 STR-6653.

Сервисное меню 1: через основное меню войти в **PICTURE MENU**, нажать **Q.VIEW**, **RETURN**, **MUTE**. Переключение по позициям — **TIMER**.

Сервисное меню 2: с пульта набрать — **MENU**, **MENU**, **Q.WIEV**, **MUTE**. Кнопка **SLEEP** — перелистывать страницы. Навигация и регулировки по меню — **цветными** кнопками. Выход из меню — кнопка **MENU**.

Все модели на шасси 3Y01. *Неисправность:* нет кадровой развертки. Отсутствует напряжение питания 25 В кадровой микросхемы IC301 LA7840. Оборван R316 3,9 Ом.



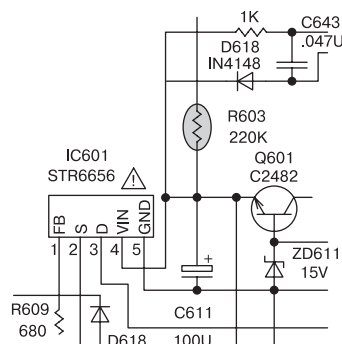
Шасси 5N11

CT-25DS9, CT-25LS9, CT-25NI9, CT-25NX9, CT-25XG9, CT-29DS9, CT-29LS9, CT-29NI9, CT-29NX9, CT-29TJ9, CT-29XG9, CT-34DS9, CT-34LS9, CT-34PF9, CT-34SG9, CT-34TP9

Состав: IC404 MSP3410D, память IC002 24C04, IC701 STV5348, IC201 NN5198 (NN5199), IC401 TA8256 (TA8246), блок питания IC601 STR6656, выходной транзистор строчной развертки Q302 2SC5150, IC302 TA8859AP.

Сервисное меню: нажмите одновременно **VOL-** и **VOL+** на передней панели телевизора и, удерживая их, включите сетевой выключатель. Подходит для видеопроцессоров NN5198, NN5199.

CT-25DS9. *Неисправность:* не включает-ся. Вторичные цепи блока питания исправны. Отсутствует напряжение питания микросхемы IC601 STR6656 на ножке 4 ноль вольт. В обрыве R603 220 кОм.



Шасси CN-9

CT-14XJ9, CT-21CH9N, CT-21XD9, CT-21XF9

Состав: центральный процессор управления N001 СНТ0807, память N002 24C04, N101 LA7910, усилитель низкой частоты N601 TDA7057AQ, видеопроцессор N201 ТВ1238AN, выходной транзистор строчной развертки V804 2SD1710, выходной транзистор строч-

ной развертки V502 2SD1651 (аналоги BU2508DF, 2SD1555, 2SD2095, 2SD2125), кадровая развертка N401 TA8403, трансформатор строчной развертки T100 BSC65A. Микросхема в пульте NM01 TC9028F-022.

Сервисное меню: вход осуществляется с помощью пульта K10. Установите громкость на минимум. Нажмите **MUTE** на пульте ДУ и **MENU** на передней панели телевизора. На экране зажжется **D**.

Шасси CN-ER

CT-14GT9A, CT-14GT9CP, CT-14GT9N, CT-14GT9R, CT-21GT9

Состав: видеопроцессор LA76810, центральный процессор управления СHT0400, память 24C04, усилитель низкой частоты LA4225, кадровая развертка LA7840.

Шасси S33

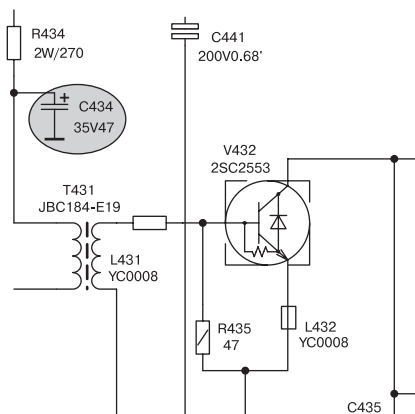
CT-29AZ9, CT-29DR9, CT-29DX9, CT-29JP9

Состав: центральный процессор управления N701 LC863320A, память N702 24C08, силовой транзистор блока питания V513 2SC5299, кадровая развертка N451 LA7840, трансформатор строчной развертки T471 BSC25-3802E, выходной транзистор строчной развертки V432 2SC2553, усилитель низкой частоты N601 TA8256. Микросхема в пульте IC1001 LC7481M-8103.

Сервисное меню: замкните в пульте ДУ **PIN7** и **PIN16** у микросхемы — это будет кнопка **SCREEN**. Замкните в пульте ДУ **PIN8** и **PIN16** у микросхемы — это будет кнопка **FACTORY**.

Для входа в меню нажмите дважды **FACTORY** — вы попадете в меню.

Все модели на шасси S33. Неисправность: сильно перегревается выходной транзистор строчной развертки. Без причин может выходить из строя. Неисправна C434 (47 мкФ × 35 В).



Шасси SS1

СТ-14DX9, СТ-14DX9А, СТ-14DX9N, СТ-14DX9R, СТ-14DX9CP, СТ-21DX9,
СТ-21DX9А, СТ-21DX9N, СТ-21DX9R, СТ-21DX9CP, СТ-14JP9, СТ-14JP9А,
СТ-14JP9CP, СТ-14JP9N, СТ-14JP9R, СТ-14ТА9А, СТ-14ТА9N, СТ-14ТА9R,
СТ-14UX9, СТ-21DR9, СТ-21DX9, СТ-21JP9, СТ-21UX9

Состав: центральный процессор управления N701 LC863320, память N702 24C04, силовой транзистор блока питания V513 2SD1710, тюнер TDC-XXX, N801 HEF4053, видеопроцессор N101 LA76810, трансформатор строчной развертки T471, выходной транзистор строчной развертки V432 2SD1651 (аналоги BU2508DF, 2SD1555, 2SD2095, 2SD2125) для 25 дюймового кинескопа 2SD5296, N602 AN5265, N604 AN5265, кадровая развертка N451 LA7840. Микросхема в пульте IC1 LC7461M-8103.
Сервисное меню: включите телевизор. Нажмите **PROG** на пульте ДУ, введите код **6, 4, 8, 3**.

Шасси H704V

СТ-21FD9CP, СТ-21FD9M, СТ-29FD9

Состав: центральный процессор управления SDA555XFL, блок питания I801 STR-G6656, усилитель низкой частоты I603 TDA7297, кадровая развертка I301 LA7845K, видеопроцессор I102 NN5198K, I602 MSP34X0D.

Шасси 11AK19PRO

СТ-2155

Состав: центральный процессор управления VESTEL 19V1.ONT питание 3,3...3,4 В, память 24C16, TDA8842, тюнер TECC2949VG28B, звук TDA2614, кадровая развертка TDA8356, видеоусилитель TDA-6108JF, трансформатор строчной развертки 11425110, выходной транзистор строчной развертки BU2506DF, блок питания MC44604P, силовой транзистор блока питания 2SK2545, оптрон в блоке питания TCDT1102G.

Сервисное меню: На пульте ДУ нажать **синюю** кнопку, войти в меню **УСТАНОВКА**, нажать кнопки **4, 7, 2, 5**.

СТ-2155. Неисправность: вышел из строя блок питания. Со слов владельца, перед поломкой стал иногда отключаться. При вскрытии обнаружилась вздутая емкость по питанию строчной развертки, MC44604P без признаков жизни, вместо тиристора Q810 установлен 2SA1013. После замены MC44604P и емкости блок пита-

ния выдавал +10 В, но иногда запускался на несколько секунд до рабочего напряжения. **Причина** оказалась в чип-резисторе R809 1 кОм. При прогреве паяльником олово сошло с одной стороны резистора и больше не прилипло. После установки обычного резистора блок питания стал нормально выходить на рабочий режим. Так как в продаже не нашел тиристора MCR22-6, установил MCR100-6. После ремонта блок питания выдавал 114,8 В — в рабочем и 13,3 В — в дежурном режиме.

Другие модели

СТV-21MS (AKAI CT-2107D). *Неисправность: тусклый экран с неправильными (измененными) цветами.* Как бы не хватает яркостного сигнала. Вероятно могут быть и другие проявления, связанные с видеоканалом. Дефект интересен тем, что все как бы нормально. Серию ремонтов по причине усыхания емкости (47 мкФ × 50 В) в блоке питания, замене стабилизатора на 12 В и других неисправных элементов аппарат прошел. Напряжение +115 В в норме и стабильно в дежурном режиме. На размышления навело несколько заниженное напряжение со стабилизатора 12 В 1 Вт (в AKIRA ZD402) всего около +10,5 В. Оказалось, что разрывной резистор, подающий напряжение с 3 ноги ТДКС на выпрямитель питания стабилизатора, повысил свое сопротивление с менее одного ома до 5 Ом!! Вследствие чего упало выпрямленное напряжение ниже 12 В вместо положенных 14...16 В. Встречается уже второй раз. Поэтому **рекомендую** после стандартного ремонта при завышении +115 В еще проверять и резистор R443 (в AKIRA), R421 (в AKAI), не увеличился ли его номинал.

СТ-1496. *Неисправность: мал размер по вертикали, примерно 5 см.* Замена LA7830 и электролитов ничего не дала. Обрыв конденсатора 1 нФ на выводе 5 кадровой микросхемы.

СТV-21M. *Неисправность: после устранения стандартного набора неисправностей — при автоматической настройке проскакивает все станции и, соответственно, нет звука.* Настройка контуров, замена конденсаторов в них не изменили ситуацию. Надо сказать, что до

меня его уже пытался отремонтировать товарищ хозяина ТВ. После титанических усилий выяснилось, что этот «умелец» заменил емкость (навесная со стороны монтажа с «минусом» конденсатора С321 на землю). У родной номинал 4,7 нФ, а он поставил 22 нФ. В результате на 13 ноге проца С68241Y (ident) 5 В не появлялось ни при каких настройках контуров! После замены — все настроилось.

СТ-2097M. *Неисправность: не включается, пицит, +В занижено.* С нагрузкой — лампой 60 Вт, блок питания выдает 118 В, т.е. норма. НОТ — целый. **Тестирование** выходного каскада строчной развертки пониженным +В = +15 В выявило следующее. Импульсы на ножках ТДКС иногда в норме, иногда садятся — в этот момент подскакивает потребление тока по цепи +В (то есть +15 В) до 300 мА. Если отключить ОС — приходит в норму. При осмотре ОС заметил свернутые меж собой выводы КК и СК — они слиплись и стали контактировать. Раздвинул, опять припаял концы — и ОС спасена. Включаю ТВ, появляется высокое — и тут ждет **сюприз!** Прямо на глазах IC577 LA7830. Пришлось ее заменить.

AKIRA МК-7. Очень похож на FUNAI. *Неисправность: при включении раздается писк.* **Причина** — сгорел выходной строчный транзистор 2SD1556 из-за повышенного напряжения с БП (высохли конденсаторы по первичной цепи). После замены электролитов и транзистора телевизор заработал, но в SECAM не было цвета. **Причиной** этой неисправности оказалось отгнившие выводы опознавания цвета.